



# ***Automax DS/DM Series UltraSwitch™*** **Switch box**



***Experience In Motion***

# Features



## DS/DM Series UltraSwitch™

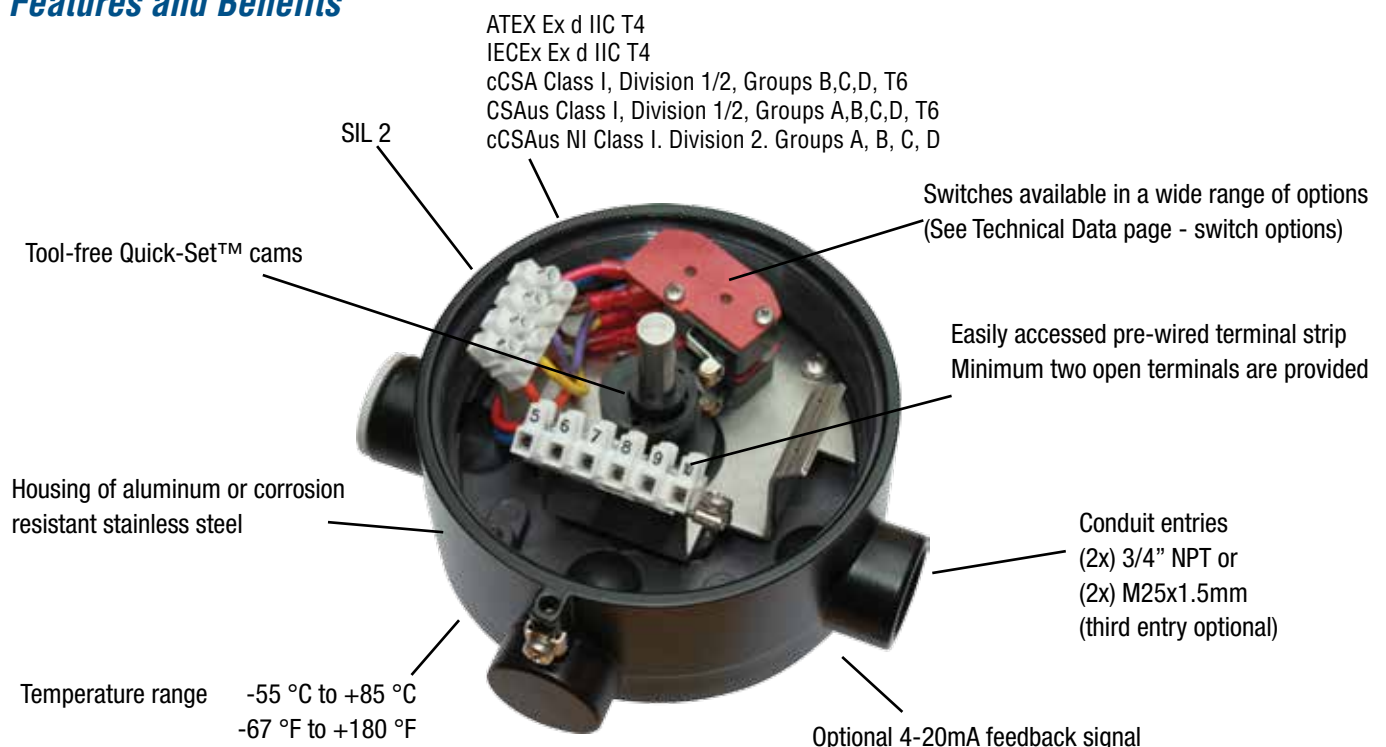
### Description

The DS/DM Series UltraSwitch™ from Flowserve Automax provides cost efficient, accurate and reliable position signaling for hazardous locations. The sturdy enclosure is offered in aluminum or corrosion resistant stainless steel and is provided with multiple switch options. An external indicator is available.

The DS/DM is designed to be directly and easily mounted onto actuators for both rotary and linear indication. It may also be used as a junction box for direct connection of solenoid valves. Minimum two open terminals are always provided.

Its compact housing has multiple mounting possibilities, up to three conduit entries and pre-wired switches to enable easy installation. It is designed to meet IP66 and NEMA Type 4X standards and is offered for general purpose/weather proof and for explosion proof hazardous locations.

### Features and Benefits



# Hazardous Locations Approvals



## Typical applications / industries suitable for the DS/DM-Series UltraSwitch™ are:

- Chemical
- Oil & Gas
- Pharmaceutical
- Offshore

## Hazardous locations approvals and communication

Explosion proof: 

Approvals for:

- ATEX Ex d IIC T4
- IECEX Ex d IIC T4
- cCSA Class I, Division 1/2, Groups B,C,D, T6
- CSAus Class I, Division 1/2, Groups A,B,C,D, T6
- cCSAus NI Class I, Division 2, Groups A, B, C, D

### AS-Interface (AS-i)

The DS/DM-series can be equipped with optional AS-i communication capabilities. This technology offers a very simple, flexible and cost efficient network system.

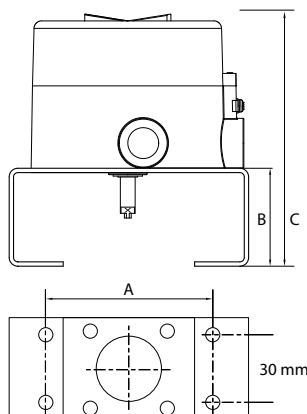


## Mounting options and visual indication

### NAMUR mounting

Standard NAMUR EN15714 mounting kits are available for standard NAMUR shafts. Available for 80x30 and 130x30 actuator top patterns with an actuator shaft height of 20, 30 or 50 mm. For linear applications the optional "L" shaft can be ordered. Visual indicator also shown.

NAMUR mounting kit with Indicator



Mounting kit NAMUR p/n	23648	23649	23650
A = Bolt pattern length (mm)	80	80	130
B = Bracket height (mm)	45	55	55
C = Height (mm)	145	155	155

# Housing



## Aluminum or Stainless Steel housing



### Powder Epoxy painted Aluminum housing

Base always black. Covers in black (standard), white or optional cover color on request

### Corrosion free Stainless Steel housing

Unpainted stainless steel DIN 1.4408



# Technical Data



## Switch Options

Code	Switch Option	Manufacturer	Load Capacity
M1	SPDT Mechanical	Honeywell MicroSwitch	15A @ 125/250 VAC; 0,5A @ 125 VDC; 0,25A @ 250VDC; 5A @ 120VAC
MG	SPDT Gold Mechanical	Honeywell MicroSwitch	1A @ 125 VAC; 50 mA @ 24 VDC
MC	SPDT Mechanical	Honeywell MicroSwitch	Mechanical switch 250°F
F3	IF5250	IFM	10-36VDC NC PNP, 150mA, 3-wire NC
F5	IF6001	IFM	18-32VDC, NO PNP, 150mA@50 C
F6	IF6034	IFM	10-36VDC, NO PNP, 150mA, Stainless Steel
F7	IN0074	IFM	20-250 AC/DC NO, 350mA/100mA
F8	IN0081	IFM	20-250 AC/DC NO, 350mA/100mA w/LED
P4	SPST Proximity	Aleph	0.35A @ 140 VAC; 0.25A @ 200VDC (50 W Max.)
P5	SPDT Proximity	Hamlin	0.25A @ 120 VAC; 0.25A @ 28 VDC (3 W Max.)
PE	SPDT Sabre Proximity	Flowserve	1A @ 120 VAC; 1A @ 24 VDC
PP	SPDT Phazer Proximity	Flowserve	3A @ 120 VAC; 2A @ 24 VDC
PT	SPST BRS Proximity	Flowserve	3A @ 120 VAC; 0.5 @ 24 VDC
N3	Slotted NAMUR	PF SJ3.5-S1N	NAMUR NO 2-wire Safety function
N8	Solid State Proximity	PF NJ2 V3 N	NAMUR NC Sensor; 8 VDC
N9	Solid State Proximity	PF NBB3-V3-Z4	NPN Sourcing; 100 mA max. Current; 5-60 VDC
NP	Solid State Proximity	PF SJ3.5-N	NAMUR Sensor Output; 5-25 VDC Supply
NQ	Solid State Proximity	PF NJ4-12GK-N	NAMUR NC Sensor; 8 VDC
NR	Solid State Proximity	PF NJ4-12GM40-E1	PNP Sinking; 200 mA max. Current; 10-60 VDC
NS	Solid State Proximity	PF NJ4-12GM40-E2	NPN Sourcing; 200 mA max. Current; 10-60 VDC
NT	Solid State Proximity	PF NJ4-12GK40-E2	NPN Sourcing; 200 mA max. Current; 10-60 VDC
NW	Solid State Proximity	PF SJ3.5-SN	NAMUR NC Sensor; 8 VDC

More switch options available

## Data/Materials

Data	
Ingress protection	IEC 529 IP 66
Weight Aluminum housing	1.8kg / 4 lbs
Weight Stainless Steel housing	3.5kg / 7.75 lbs

Part	Material
Housings & Covers	Powder epoxy painted Aluminum or Stainless Steel
Shaft	Stainless Steel
Cams/Splines	Nylon
Terminal Block	Nylon
Internal Brackets	Nylon, Aluminum or Stainless Steel
All External Fasteners	Stainless Steel
All Internal Fasteners	Stainless Steel
Indicator	Polyurethane
Label	Polyester or Stainless Steel

Certificate	
ATEX	II 2GD Ex d IIC T4 Gb Ex tb IIIC T113°C Db
IECEX	Ex d IIC T4 Gb Ex tb IIIC T113°C Db
cCSA Class I, Division 1/2, Groups B,C,D, T6	
CSAus Class I, Division 1/2, Groups A,B,C,D, T6	
cCSAus NI Class I, Division 2, Groups A, B, C, D	

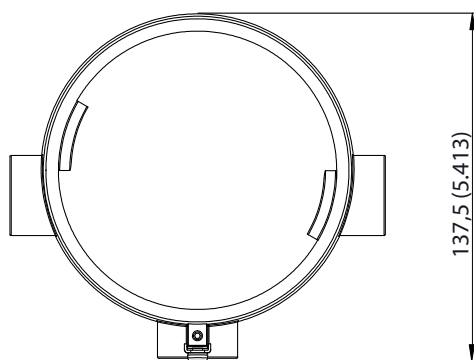
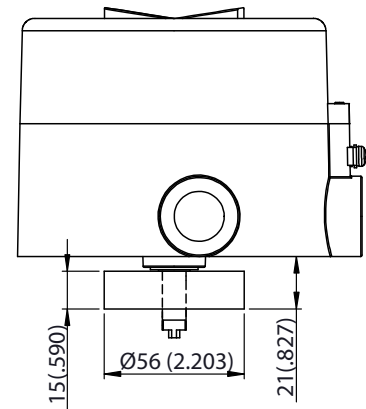
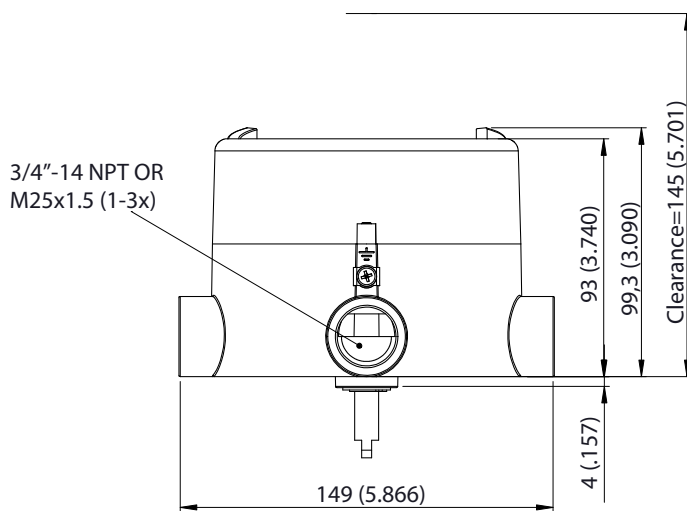
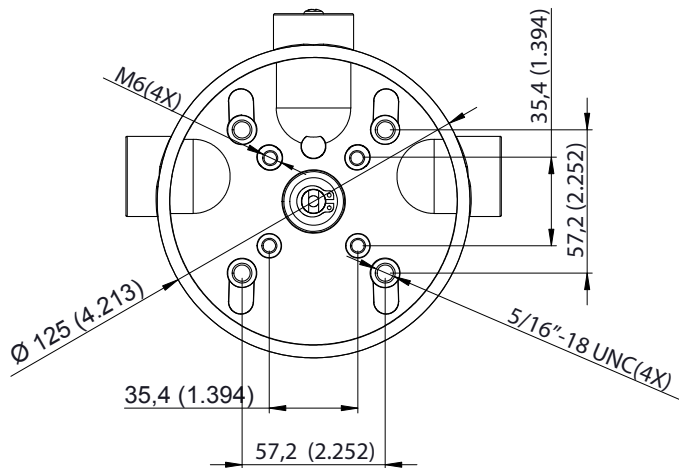
## DS/DM-Series Ultraswitch™ Switch box Nomenclature

- A = Product & Connections (cable entry)**  
 DS Explosion proof / Flame proof switch box with 3/4" NPT cable entries  
 DM Explosion proof / Flame proof switch box with M25x1,5 cable entries
- B = Number of open cable entries**  
 2 2 x open cable entries (standard)  
 3 3 x open cable entries (option)
- C = Housing material /Surface treatment**  
 B Aluminum housing, polyester powdercoating, Black base & cover  
 W Aluminum housing, polyester powdercoating, Black base & White cover  
 C Aluminum housing, polyester powdercoating, Black base & Optional cover color  
 S Stainless Steel housing
- D = Shaft**  
 D Double 'D' Shaft 1/4"  
 N Namur VDI/VDE 3845 Shaft (rotary actuators)  
 T For NAF Turnex actuators  
 L D style including nut for linear applications
- E = Indicator option**  
 0 No indicator  
 1 Indicator below switch box
- F = Qty of switches**  
 0 0 Switches  
 2 2 Switches  
 4 4 Switches
- G = Switch options - see page with switch options**
- H = Certificate**  
 14 General Purpose  
 18 cCSA Class I, Division 1/2, Groups B,C,D; Class II, Division 1/2, Groups E, F, G; Class III  
 CSAus Class I, Division 1/2, Groups A,B,C,D; Class II, Division 1/2, Groups E, F, G; Class III;  
 19 ATEX II 2GD, Ex d IIC T4 Gb, Ex tb IIIC  
 25 IECEx Ex d IIC T4 Gb, Ex tb IIIC  
 28 cCSAus NI Class I. Division 2. Groups A, B, C, D.
- I = Product approval marking**  
 0 Self-adhesive marking label, Polyester  
 M Stainless steel marking plate
- J = Analog Output**  
 0 None  
 4 4-20mA transmitter (G= none, M1 or MG only)
- K = Terminal Options**  
 2 2 Extra open terminals (Standard)  
 4 4 Extra open terminals (Optional, not possible for all switch options)  
 6 6 Extra open terminals (Optional, not possible for all switch options)  
 8 8 Extra open terminals (Optional, not possible for all switch options)  
 H Heavy Duty Terminal Block, 8 contact points.
- L = Options/ Elastomers**  
 0 Nitrile O-rings  
 V Viton O-rings
- M = Brand**  
 X Automax

Ordering code example														
A	B	C	D	E	F	G		H		I	J	K	L	M
DS	2	B	N	1	2	MG	-	14	-	0	0	2	0	X

Explosion proof / Flame proof switch box with 3/4" NPT cable entries, 2 Cable entries, Aluminum housing, NAMUR shaft, Indicator, 2 switches "MG", General purpose, label, No output, 2 Extra terminals, Nitrile O-rings, Worcester Brand

**Dimensions DS/DM (mm/Inch)**





**Flowserve Corporation**  
Flow Control Division  
1978 Foreman Drive  
Cookeville, Tennessee 38501  
USA  
Phone: +931 432 4021  
Fax: +931 432 5518  
flowserve.com

FCD AXENBR0136-02-A4 - 07/15

**To find your local Flowserve representative:**

For more information about Flowserve Corporation,  
visit [flowserve.com](http://flowserve.com)

**Hazardous Locations**

ATEX II 2GD Ex d IIC T4 Gb  
Ex tb IIIC T113°C Db

IECEx Ex d IIC T4 Gb  
Ex tb IIIC T113°C Db

ATEX Ex d IIC T4  
IECEx Ex d IIC T4  
cCSA Class I, Division 1/2, Groups B,C,D, T6  
CSAus Class I, Division 1/2, Groups A,B,C,D, T6  
cCSAus NI Class I, Division 2, Groups A, B, C, D

Flowserve Corporation has established industry leadership in the design and manufacture of its products. When properly selected, this Flowserve product is designed to perform its intended function safely during its useful life. However, the purchaser or user of Flowserve products should be aware that Flowserve products might be used in numerous applications under a wide variety of industrial service conditions. Although Flowserve can (and often does) provide general guidelines, it cannot provide specific data and warnings for all possible applications. The purchaser/user must therefore assume the ultimate responsibility for the proper sizing and selection, installation, operation, and maintenance of Flowserve products. The purchaser/user should read and understand the Installation and Maintenance (I & M) instructions included with the product, and train its employees and contractors in the safe use of Flowserve products in connection with the specific application.

While the information and specifications contained in this literature are believed to be accurate, they are supplied for informative purposes only and should not be considered certified or as a guarantee of satisfactory results by reliance thereon. Nothing contained herein is to be construed as a warranty or guarantee, express or implied, regarding any matter with respect to this product. Because Flowserve is continually improving and upgrading its product design, the specifications, dimensions and information contained herein are subject to change without notice. Should any question arise concerning these provisions, the purchaser/user should contact Flowserve Corporation at any one of its worldwide operations or offices.

©2015 Flowserve Corporation, Irving, Texas, USA. Flowserve and PMV are registered trademarks of Flowserve Corporation.