

AUTOMOTIVE BUMPER TESTING

Safety testing of front and rear bumpers

- ARIES has developed and supplied complete turn-key systems and facilities for low speed crash testing.
- All low speed regulations: RCAR, IIHS, NCAP, ECE R42, FMVSS 581...

BUMPER PENDULUM TEST DEVICE

BUMPER PENDULUM SPECIFICATIONS*

Adjustable weights	500 - 3000 kg (10 kg steps)
Adjustable center of gravity	
Adjustable weight and impact point of auxiliary cart	
Double impact avoidance brake	

(* Different technical specifications under request)



GRAVITY IMPACTOR TEST SYSTEM



GRAVITY IMPACTOR SPECIFICATIONS*

Adjustable weights	500 - 3000 kg (10 kg steps)
Combined with climatic chamber	
Double impact avoidance brake	
Adjustable speed of impact	

(* Different technical specifications under request)

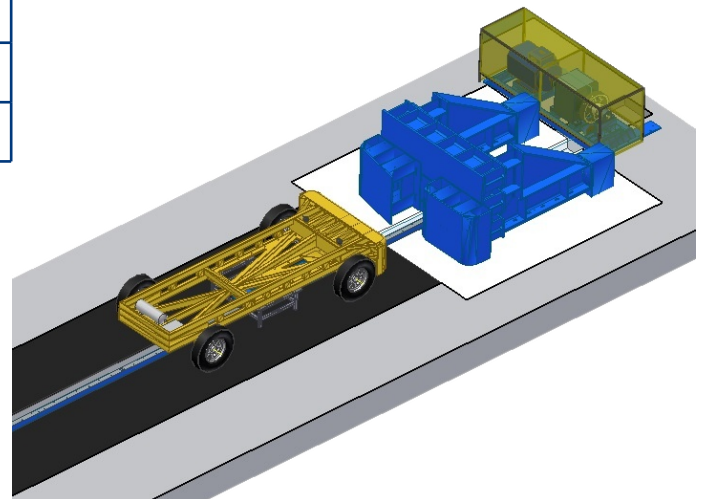
LOW SPEED CRASH TRACK



LOW SPEED TRACK SPECIFICATIONS*

Vehicle speed	Up to 15 km/h
Vehicle weight	Up to 3000 kg
Track length	Down to 25 m
Indoor and outdoor designs	

(*): Different technical specifications under request



ADDITIONAL FEATURES

SPEED METER



ARIES' speed meter is a reliable measuring device to precisely record testing speed.

CRASH CARTS



ARIES' designs and manufactures any specific crash testing auxiliary cart

LED LIGHTING



ARIES designs and supplies specific lighting systems for high speed recording for crash testing

ARIES INGENIERIA Y SISTEMAS, S.A.

Pº Castellana, 111, 28046, MADRID, SPAIN

Tel.: + (34) 915 70 27 37

info@aries.com.es www.aries.com.es